

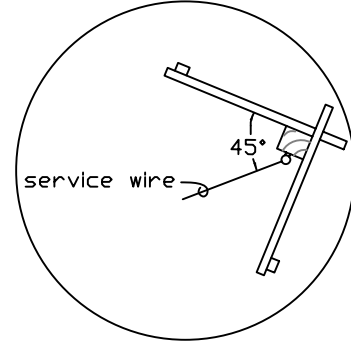
OVERHEAD SOURCE TEMPORARY SERVICE MINIMUM SPECIFICATIONS

Service Size	Phase		Neutral		Conduit
	Cu.	Al.	Cu.	Al.	
60 amp	#6	n/a	#8	n/a	1"
100 amp	#4	#2	#6	#4	1 1/4"
200 amp	#2/0	#4/0	#2	#2/0	2"

1. Service panel shall be weatherproof, UL listed, suitable for outdoor use, containing a minimum of 2-20 amp single pole circuit breakers and 2-GFI duplex receptacles. Receptacles shall be completely covered (when in use).

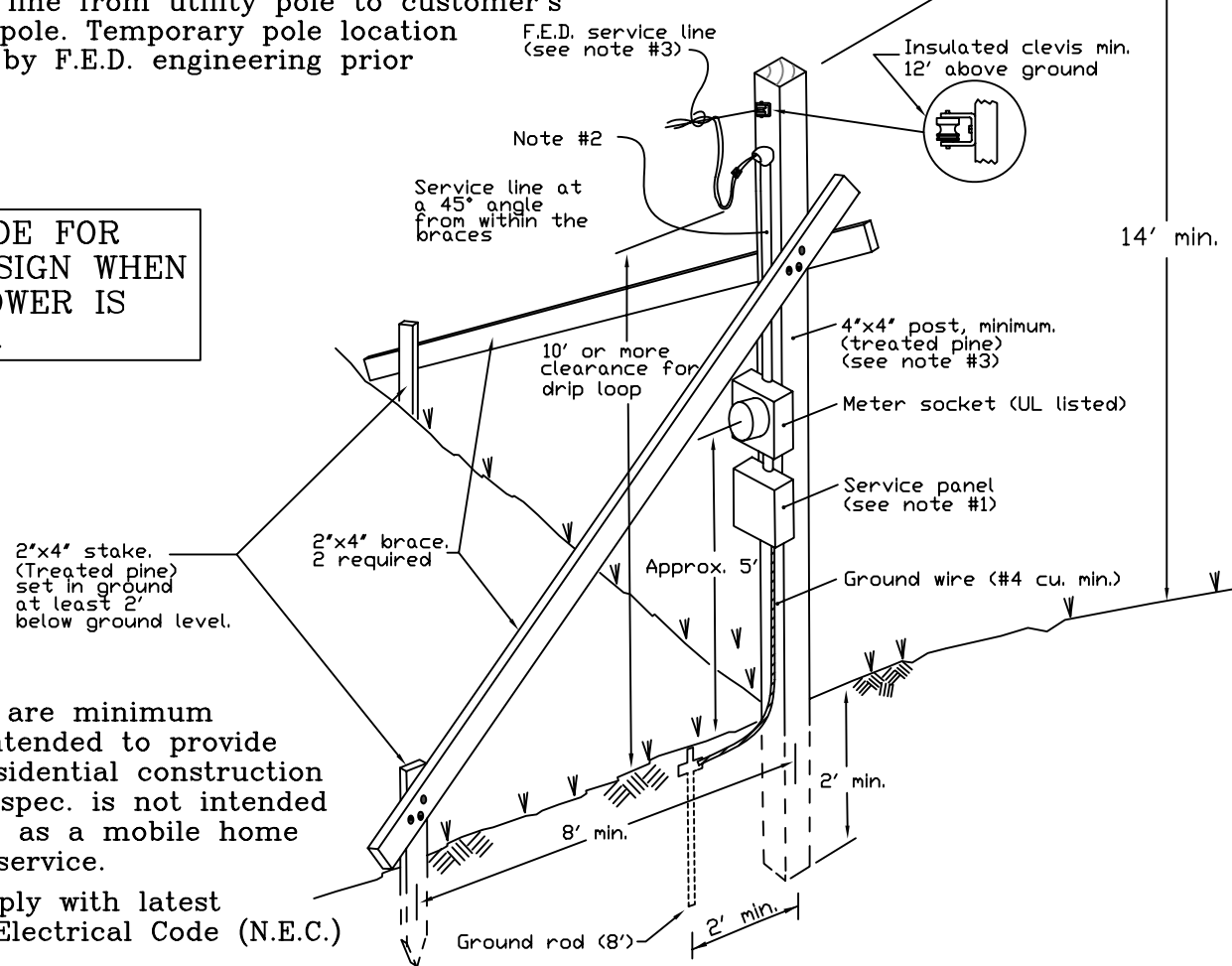
2. Service capacity shall be a minimum of 60 amps. See chart for wire size requirements. Conductors shall extend 24" minimum from weatherhead. Conduit shall be attached to pole with minimum of 2 straps. Customer to furnish and install insulated clevis.

3. Customer pole must be installed within 70' of utility pole that will serve site. F.E.D. will furnish and install service line from utility pole to customer's temporary service pole. Temporary pole location must be approved by F.E.D. engineering prior to installation.



TOP VIEW

SEE OTHER SIDE FOR ALTERNATE DESIGN WHEN SOURCE OF POWER IS UNDERGROUND.



General notes:

- *These specifications are minimum requirements and intended to provide basic service for residential construction (6-9 months). This spec. is not intended or approved for use as a mobile home or permanent pole service.
- *All wiring shall comply with latest edition of National Electrical Code (N.E.C.)
- *F.E.D. will install meter in customer-owned socket. All installations located in City of Florence Planning Jurisdiction must be inspected by the City of Florence Building Dept. prior to connection. Building Dept (tel.# 760-6325). For technical support, call the Florence Electricity Department Electrical Engineering at 740-6005. Contact Alabama 1-Call 1-800 292-8525 Prior to excavation.

<table border="1" style="font-size: small; margin: 5px auto;"> <thead> <tr> <th>DATE</th> <th>INITIALS</th> </tr> </thead> <tbody> <tr> <td>5/9/06</td> <td>S.F.</td> </tr> <tr> <td>8/28/06</td> <td>S.F.</td> </tr> <tr> <td>11/1/06</td> <td>S.F.</td> </tr> </tbody> </table>	DATE	INITIALS	5/9/06	S.F.	8/28/06	S.F.	11/1/06	S.F.	FLORENCE UTILITIES ELECTRICITY	
	DATE	INITIALS								
5/9/06	S.F.									
8/28/06	S.F.									
11/1/06	S.F.									
SCALE NONE	APPROVED BY	DRAWN BY S. FORD								
DATE 5-2-2006										
TEMPORARY SERVICE POLE DETAIL										
W.O.#	TEMP POLE.DWG	DRAWING NUMBER S-5575								

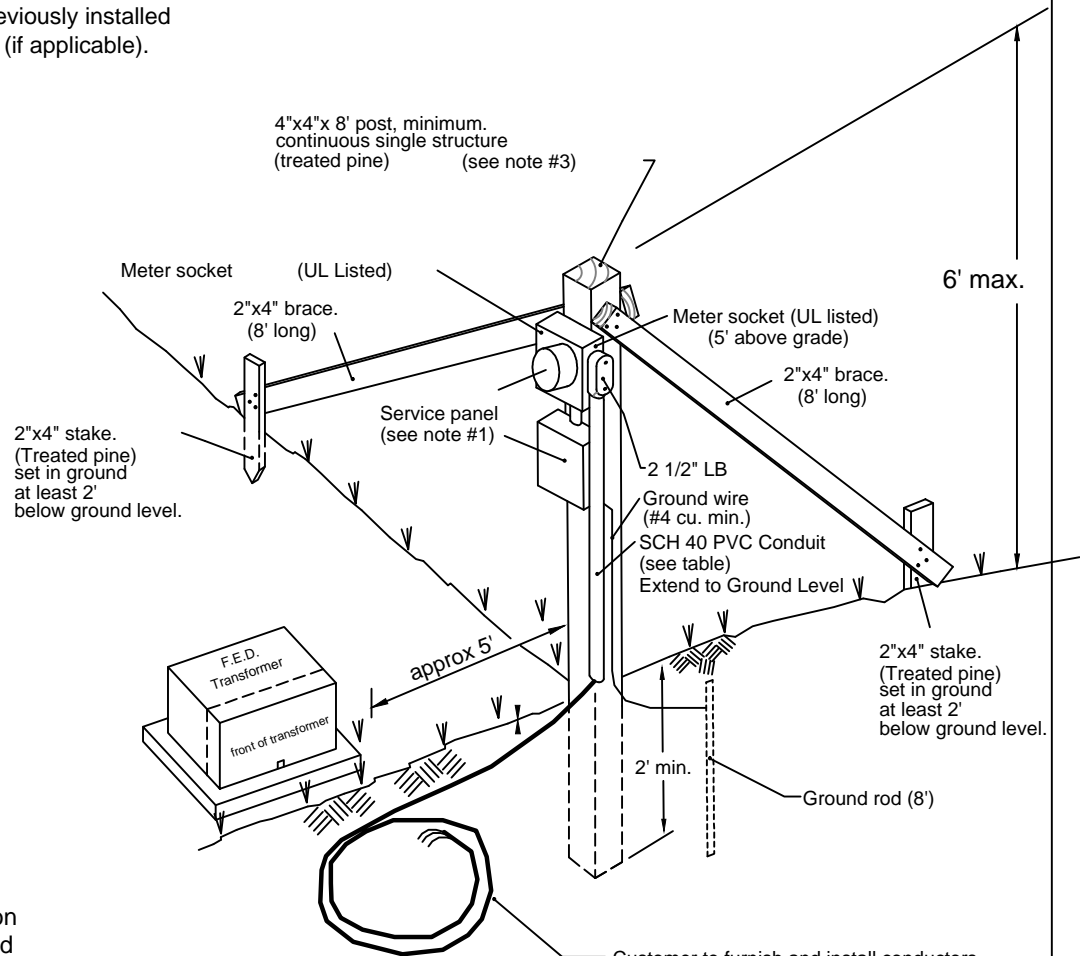
UNDERGROUND TEMPORARY SERVICE MINIMUM SPECIFICATIONS

Service Size	Phase	Neutral	Conduit*
60 amp	#6 CU	#8 CU	1"
100 amp	#4 CU	#6 CU	1 1/4"

*Between meter socket and service panel and to ground level of 4x4" post

1. Service panel shall be weatherproof, UL listed, suitable for outdoor use, containing a minimum of 2-20 amp single pole circuit breakers and 2-GFI duplex receptacles. Receptacles shall be completely covered (when in use).
2. Service capacity shall be a minimum of 60 amps. See chart for wire size requirements.
3. Temporary pole location is to be not more than 5' from transformer OR 5' from F.E.D. previously installed conduit across street from transformer (if applicable).


NOTE: THIS DESIGN IS REQUIRED WHEN EXISTING ELECTRICITY FACILITIES ARE UNDERGROUND.



General notes:

- * These specifications are minimum requirements and intended to provide basic service for residential construction (6-9 months). This spec. is not intended or approved for use as a mobile home or permanent pole service.
- * All wiring shall comply with latest edition of National Electrical Code (N.E.C.)
- * F.E.D. will install meter in customer-owned socket. All installations located in City of Florence Planning Jurisdiction must be inspected by the City of Florence Building Dept. prior to connection. Building Dept (tel.# 760-6325). For technical support, call the Florence Electricity Department Electrical Engineering at 740-6005. Contact Alabama 1-Call 1-800 292-8525 Prior to excavation.

Customer to furnish and install conductors from line terminals of meter socket to ground level and coil up 10' of conductors at base of temporary pole. Florence Electricity Department to connect wiring to transformer low voltage terminals.

 CITY OF FLORENCE ALABAMA RENAISSANCE CITY ELECTRICITY DEPT.	FLORENCE UTILITIES ELECTRICITY		
	SCALE NONE	APPROVED BY	DRAWN BY S. FORD
	DATE 5-2-2006		
TEMPORARY SERVICE POLE DETAIL			
W.O.# DATE 5/3/06 8/31/06 11/1/06 2/10/17	INITIALS S.F. S.F. S.F. W.H.	TEMP POLE.DWG DRAWING NUMBER S-5575	