

OVERHEAD SOURCE TEMPORARY SERVICE MINIMUM SPECIFICATIONS

| | | |
|--------------|-----------------|-----------------|
| Service Size | UTILITY TRIPLEX | CUSTOMER WIRE |
| 100 amp | #2 TRIPLEX | NEC ARTICLE 310 |
| 200 amp | # 2 TRIPLEX | |

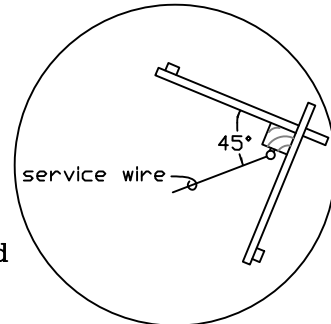
1. Service panel shall be weatherproof, UL listed, suitable for outdoor use, containing a minimum of 2-20 amp single pole circuit breakers and 2-GFI duplex receptacles. Receptacles shall be completely covered (when in use).

2. Service capacity shall be a minimum of 100 amps. Conductors shall extend 36" minimum from weatherhead. Minimum 2" galvanized conduit shall be attached to pole with minimum of 2 straps. Customer to furnish and install insulated clevis.

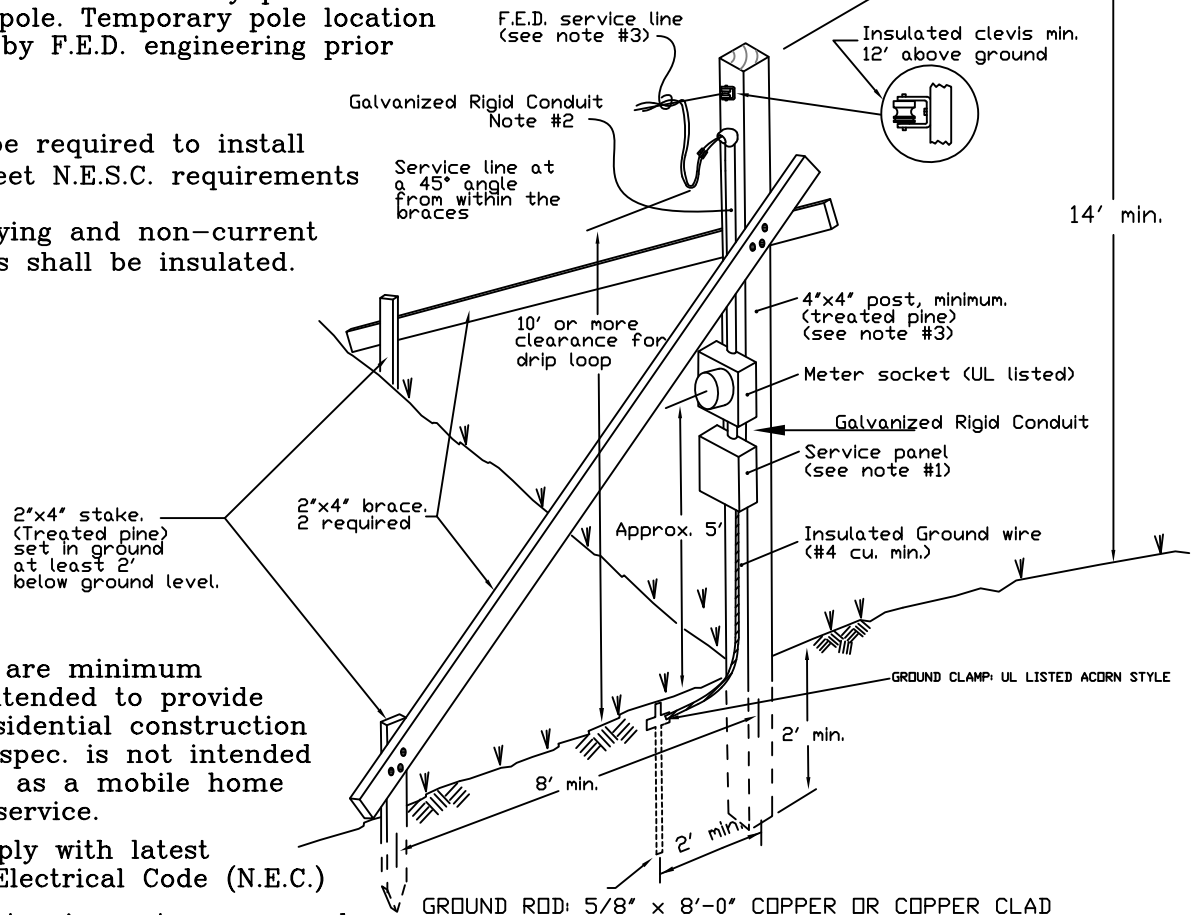
3. Customer pole must be installed within 20' of utility pole that will serve site. F.E.D. will furnish and install service line from utility pole to customer's temporary service pole. Temporary pole location must be approved by F.E.D. engineering prior to installation.

4. Customer may be required to install a taller pole to meet N.E.S.C. requirements

5. All current carrying and non-current carrying conductors shall be insulated.



TOP VIEW



General notes:

- *These specifications are minimum requirements and intended to provide basic service for residential construction (6-9 months). This spec. is not intended or approved for use as a mobile home or permanent pole service.
- *All wiring shall comply with latest edition of National Electrical Code (N.E.C.)
- *F.E.D. will install meter in customer-owned socket. All installations located in City of Florence Planning Jurisdiction must be inspected by the City of Florence Building Dept. prior to connection. Building Dept (tel.# 760-6325). For technical support, call the Florence Electricity Department Electrical Engineering at 740-6005. Contact Alabama 1-Call 1-800 292-8525 Prior to excavation.

| FLORENCE UTILITIES ELECTRICITY | | | | | | | | | | | | | | | |
|--|---------------|-------------|----------|------|----------|--------|------|---------|------|---------|------|--------|------|-------|----------------|
| <small>PictureView logging</small> | SCALE NONE | APPROVED BY | DRAWN BY | | | | | | | | | | | | |
| | DATE 5-2-2006 | | S. FORD | | | | | | | | | | | | |
| OVERHEAD TEMPORARY SERVICE POLE DETAIL | | | | | | | | | | | | | | | |
| <table border="1" style="width: 100%; border-collapse: collapse;"> <tr> <th colspan="2" style="text-align: center;">REVISED</th> </tr> <tr> <th style="text-align: center;">DATE</th> <th style="text-align: center;">INITIALS</th> </tr> <tr> <td style="text-align: center;">5/3/06</td> <td style="text-align: center;">S.F.</td> </tr> <tr> <td style="text-align: center;">8/28/06</td> <td style="text-align: center;">S.F.</td> </tr> <tr> <td style="text-align: center;">11/1/06</td> <td style="text-align: center;">S.F.</td> </tr> <tr> <td style="text-align: center;">1/6/22</td> <td style="text-align: center;">T.P.</td> </tr> </table> | | REVISED | | DATE | INITIALS | 5/3/06 | S.F. | 8/28/06 | S.F. | 11/1/06 | S.F. | 1/6/22 | T.P. | W.O.# | DRAWING NUMBER |
| REVISED | | | | | | | | | | | | | | | |
| DATE | INITIALS | | | | | | | | | | | | | | |
| 5/3/06 | S.F. | | | | | | | | | | | | | | |
| 8/28/06 | S.F. | | | | | | | | | | | | | | |
| 11/1/06 | S.F. | | | | | | | | | | | | | | |
| 1/6/22 | T.P. | | | | | | | | | | | | | | |
| | | | S-5575 | | | | | | | | | | | | |